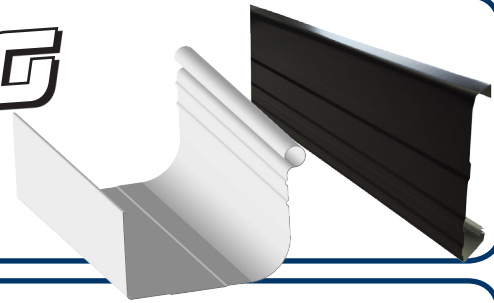
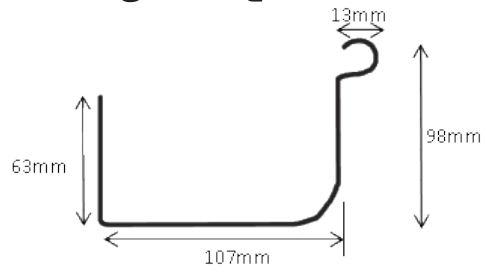


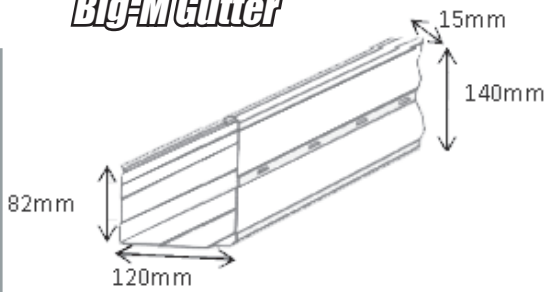
GUTTERING PROFILES



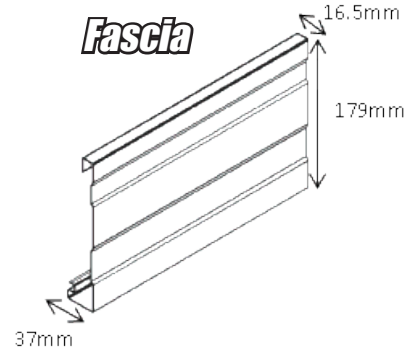
125 Big Front Quad



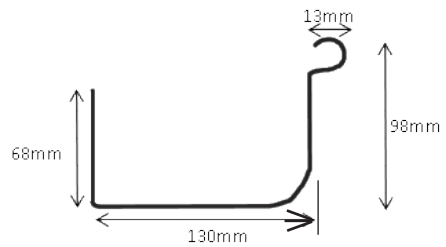
Big-M Gutter



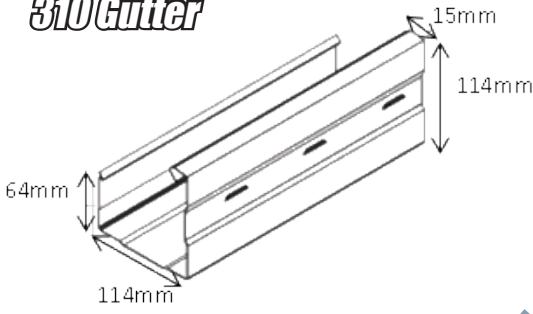
Fascia



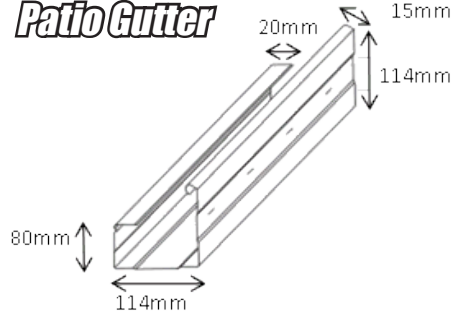
150 Big Front Quad



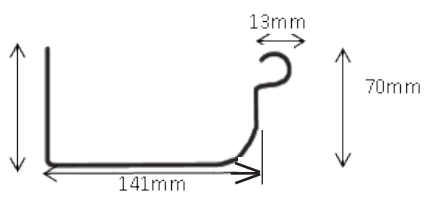
310 Gutter



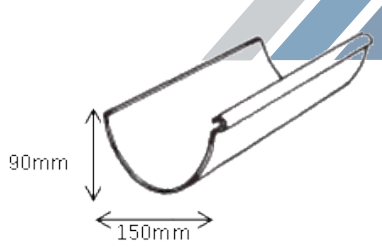
Patio Gutter



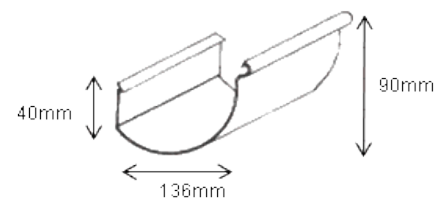
150 Low Front Quad



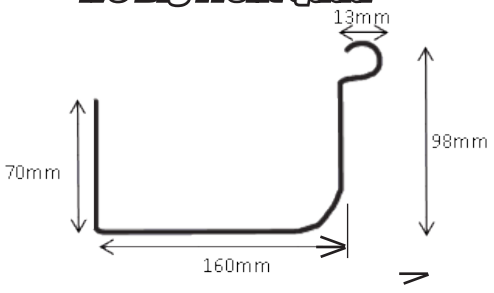
Half Round Gutter



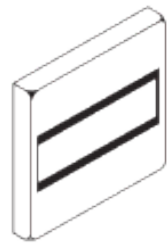
Skyline Gutter



175 Big Front Quad



Gutter End Caps



Gutter Baskets



Guttering Materials

Guttering Prices

Date _____

Check List

ID _____

Name _____

Contact _____

Big M, 310, Patio Gutter, 150 Big Front Quad 125 Big Front Quad

Big M Colorbond \$14.50 L/m
Zincalume \$14.50 L/m

310, Patio Gutter, 150 Big Front Quad 125 Quad
\$14.00 L/m

Brackets: General purpose & over strap \$4.00 each
Stopend \$4.00 each
Snap Clip \$4.00
Colorbond Gutter Corner (3 days turnaround) \$60.00

150 Low Front Quad no slots

Colorbond \$14.50 L/m
Zincalume \$14.50 L/m
Brackets. General purpose and over strap \$4.00
each Zinc T Head Bracket \$12.00
Zinc Spike Bracket \$10.00 each
Painted Spike Bracket \$12.00
Stopend \$4.00 each
Colorbond Gutter Corner (3 days turnaround) \$60.00

175 Big front Quad

Colorbond \$18.00 L/m
Zincalume \$18.00 L/m
Brackets. General purpose and over strap \$6.00
each Zinc Spike Bracket \$10.00 each
Painted Spike Bracket \$12.00
Stopend \$7.00 each
Colorbond Gutter Corner (3 days turnaround) \$60.00

Half Round & Skyline

Colorbond \$16.00 L/m
Zincalume \$16.00 L/m
Brackets. General purpose and over strap \$4.00 each
Painted Cast External Bracket \$17.00 each
Stopend \$9.00 each
Half Round Drop \$17.00
Painted Cast Gutter Corner (3 days turnaround) \$50.00

Fascia

Colorbond \$14.50 L/m
Zincalume \$14.50 L/m
Fascia Bracket \$4.00 each
External Corner \$12.00 each
Internal Corner \$4.00 each
Barge Mitre LH and RH \$12.00 each
Joining sleeve \$4.00 each

Profile	Colour		
QTY	Length	Price l/m	\$
ITEM	QTY	Price	\$
Stop Ends			
Brackets			
Overstrap			
Springclip			
Corner			
Dropper			
Down Pipe			
DP Strap			
Rivets			
Silicone			
Delivery			
Total \$			

Comments _____



Queensland Roofing Warehouse **PHONE ENQUIRIES**

1 Rina Crt Varsity Lakes QLD 4220
Email: Info@roofingwarehouse.com.au

0755 93 4766

www.roofingwarehouse.com.au Opening Hours: Mon-Fri 7am-4pm