



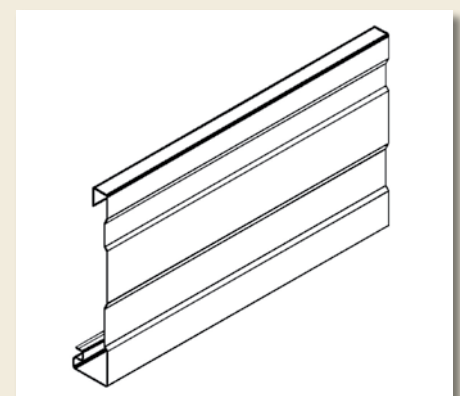
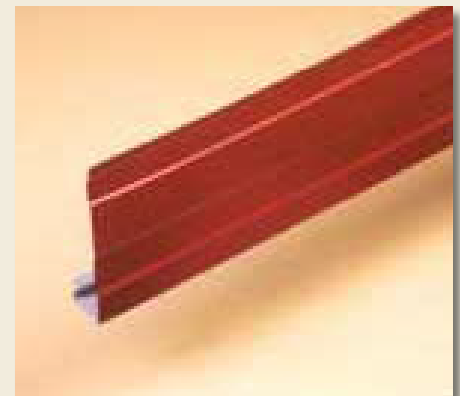
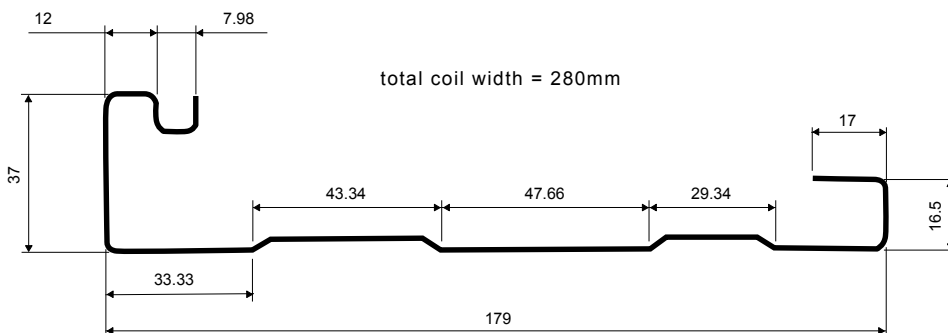
# Fascias

## Metroline® Fascia

Manufactured to exacting standards, this is a market proven product that comes in straight lengths. Metroll metal fascia does not experience any of the issues timber presents, such as warping or shrinking. Metroll metal fascia is designed to match other Metroll guttering and rainwater systems.

## Metroline® Fascia Cover

Metroll Hi-Tensile Metal Fascia Cover is designed and engineered to cover existing timber fascia. The smooth straight flowing lines of the fascia cover overcomes inherent timber problems and can be used with existing Metroll gutter profiles to create a totally coordinated rainwater system



## ROOFING WAREHOUSE

1 Rina Court  
WEST BUREIGH QLD 4220  
AUSTRALIA

P: +61 (0)7 5593 4766

[www.roofingwarehouse.com.au](http://www.roofingwarehouse.com.au)